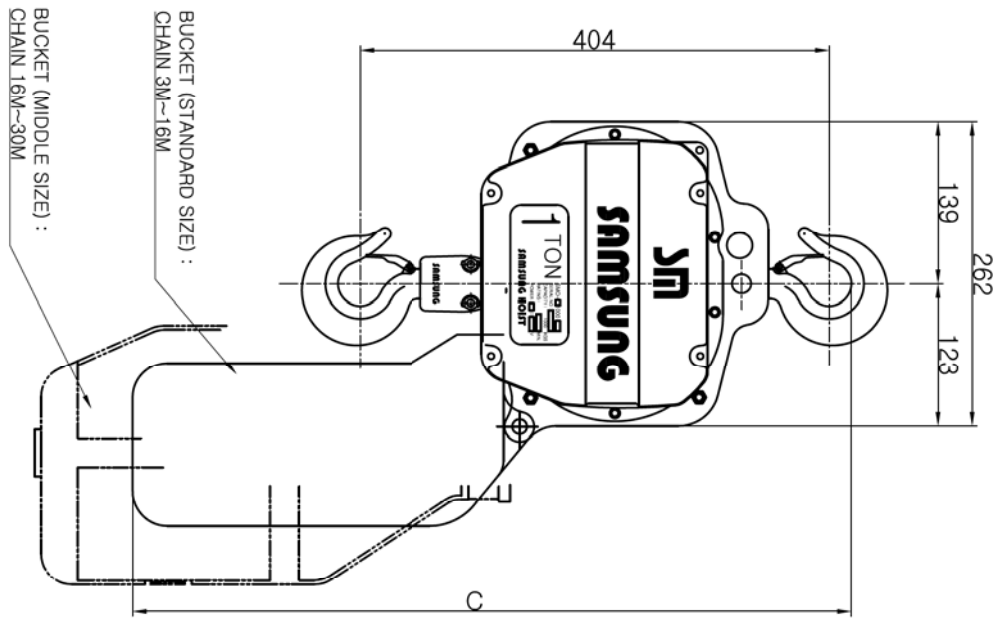
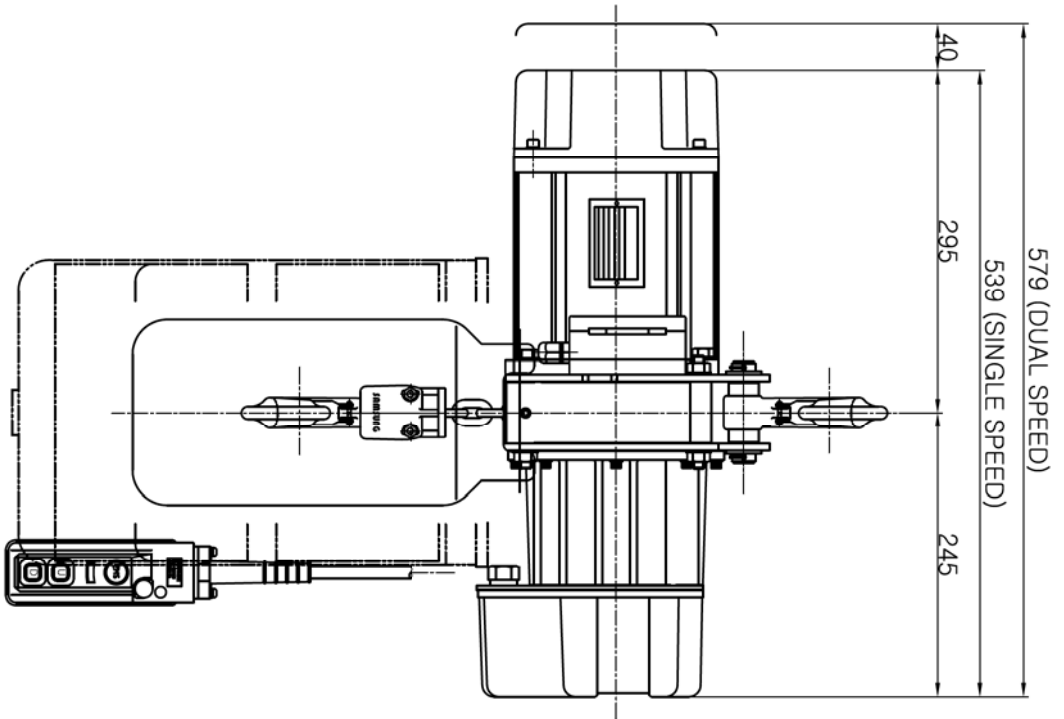


REV	DATE	REASON FOR REVISION	CHECKER BY	APP'D BY
△				



SPECIFICATION

HOISTING LOAD	1 TON	
TESTING LOAD	1.25 TON	
LIFTING HEIGHT	Min. 3 M ~ Max 50 M	
HOISTING	SINGLE	SPEED 7.0 M/MIN MOTOR 1.5 Kw x 4 P
	DUAL	SPEED 7.0 / 3.5 M/MIN
		MOTOR 1.5 / 0.75 Kw x 4/8 P
POWER SUPPLY	3Ø, 220~575V, 60Hz 1Ø, 110~230V, 60Hz	
CONTROL VOLTAGE	1Ø -48V, 110V -60Hz	
OPERATING METHOD	PUSH BUTTON TYPE	
LOAD CHAIN SPEC.	Ø7.1 x 21P x 1 FALL	
WIDTH OF BEAM	100~150 mm	
RADIUS OF BEAM	MIN. 1500 mm	
RATING	30 MIN.	
NET WEIGHT	APPROX. Min.68KG~Max.167KG	

DIMENSIONS

구분	양정(IFT)		
	3M~16M	16M~30M	30M~50M
기호	620	710	910
C			

NO.	DESCRIPTION	MATL.	SIZE	Q'TY	REMARKS
DRWING DESIGNED	CHECKED	SCALE	DATE	DRW. NO.	
윤근영	김민영	1/1	2009.08.30		SCO-1000
김승현					

SCO-1000

TITLE OF PROJECT 1 TON SUSPENSION TYPE
ELEC. CHAIN HOIST GENERAL ASSEMBLY