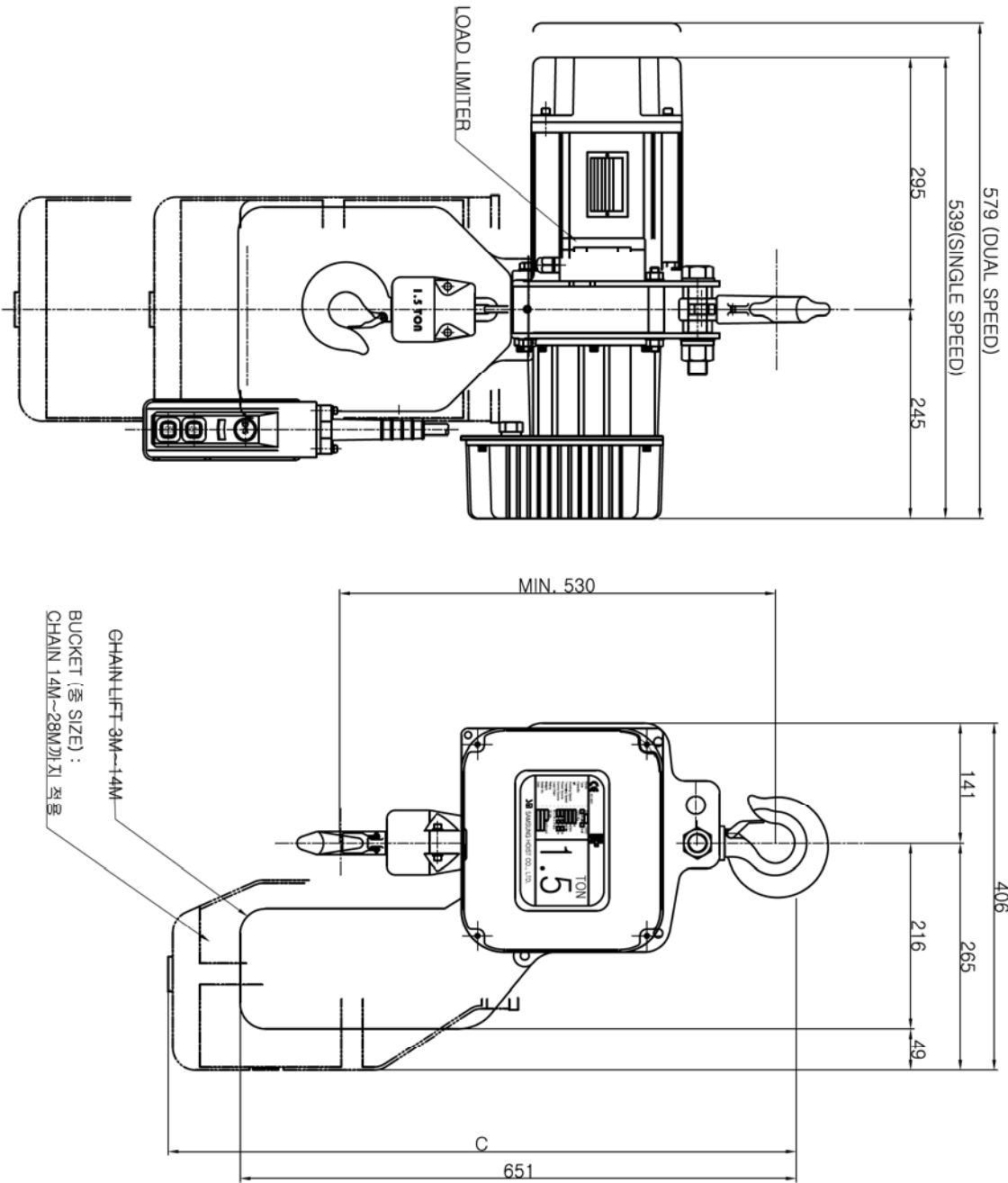


REV	DATE	REASON FOR REVISION	CHECKER BY	APP'D BY
△				



SPECIFICATION	
HOISTING LOAD	1.5 TON
TESTING LOAD	1.875 TON
LIFTING HEIGHT	Min. 3 M ~ Max 45 M
HOISTING	SPEED
	MOTOR
HOISTING	SPEED
	MOTOR
POWER SUPPLY	3Ø - 220~575V -60Hz
CONTROL VOLTAGE	1Ø -48V, 110V -60Hz
OPERATING METHOD	PUSH BUTTON TYPE
LOAD CHAIN SPEC.	Ø8.0 x 24P x 1 FALL
RATING	30 MIN.
NET WEIGHT	APPROX Min.71KG~Max.109KG

DIMENSIONS	
구분	양정(LIFT)
기호	3M~13M 13M~28M 28M~45M
C	650 740 940

CHAIN LIFT 3M~14M
 BUCKET (중 SIZE) :
 CHAIN 14M~28M까지 적용

SCO-1500

TITLE OF PROJECT		1.5 TON SUSPENSION TYPE	
ELEC. CHAIN HOIST GENERAL ASSEMBLY			
NO.	DESCRIPTION	MATL.	SIZE
DRAWN	CHECKED	SCALE	QTY
DESIGNED	APPROVED	DATE	REMARKS
	김승원	2010.08.27	SCO-1500