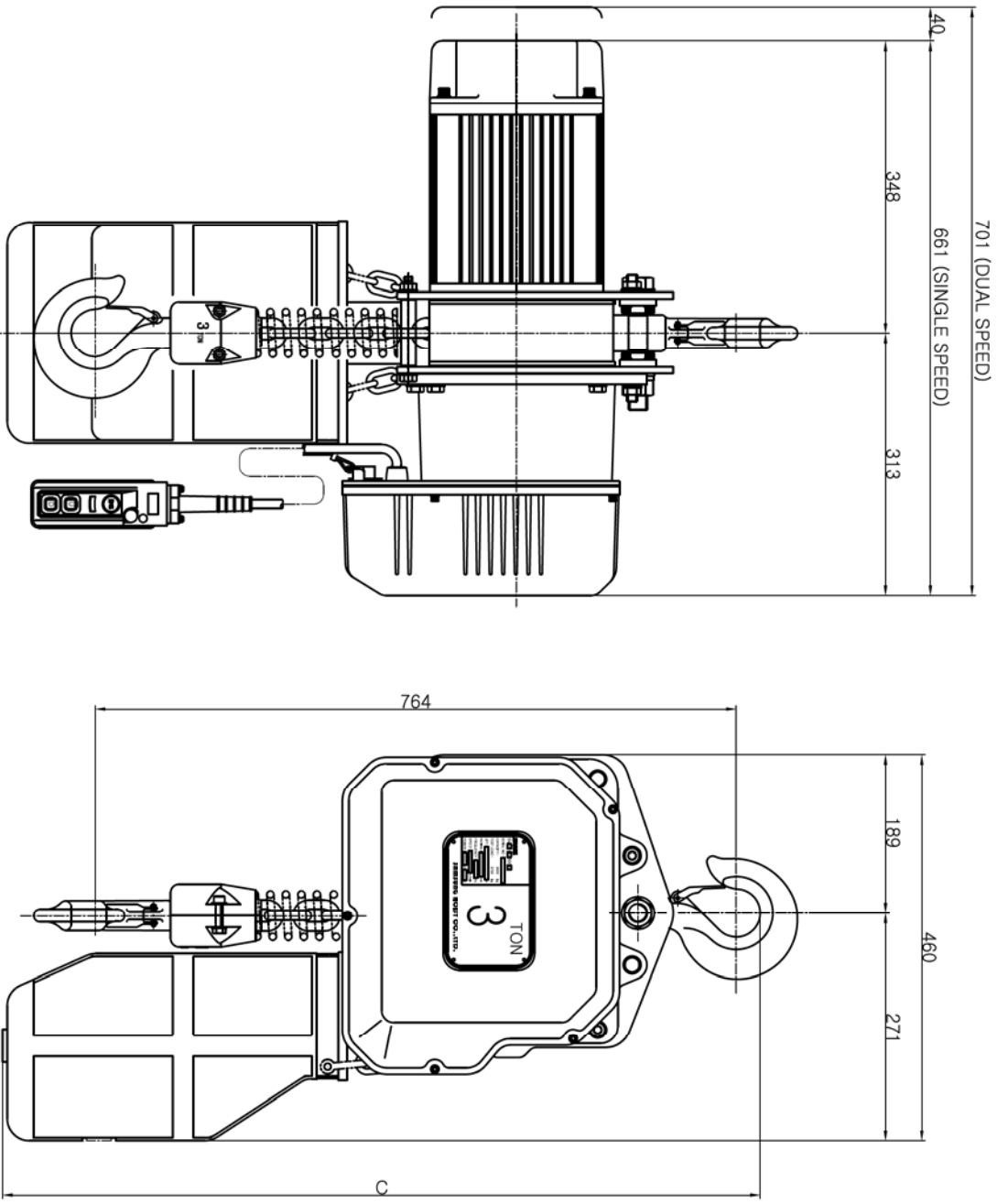


REV	DATE	REASON FOR REVISION	CHECKER BY	APP'D BY
△				



SPECIFICATION	
HOISTING LOAD	3 TON
TESTING LOAD	3.75 TON
LIFTING HEIGHT	Min. 3 ~ Max 30 M
HOISTING	SPEED
	MOTOR
DUAL	SPEED
	MOTOR
MAIN POWER	3Ø - 220~575V - 60Hz
CONTROL POWER	1Ø - 110V - 50Hz
OPERATING METHOD	PUSH BUTTON TYPE
LOAD CHAIN SPEC.	Ø11.2 x 34P x 1 FALLS
RATING	30 MIN
NET WEIGHT	MAX. 265 KG

DIMENSION	
구분	양정 (LIFT)
기호	4M~14M 14M~20M
C	900 1100

TITLE OF PROJECT		DRAWING NO.		QTY		REMARKS	
3TON SUSPENSION TYPE		SCD		1/1		SCO-3000	
ELEC. CHAIN HOIST GENERAL ASSEMBLY		2010.04.27					
NO.	DESCRIPTION	MAT'L	SIZE				
DESIGNED	CHECKED	SCALE					
문관영	전승환	1/1					
DATE							
2010.04.27							

SCO-3000