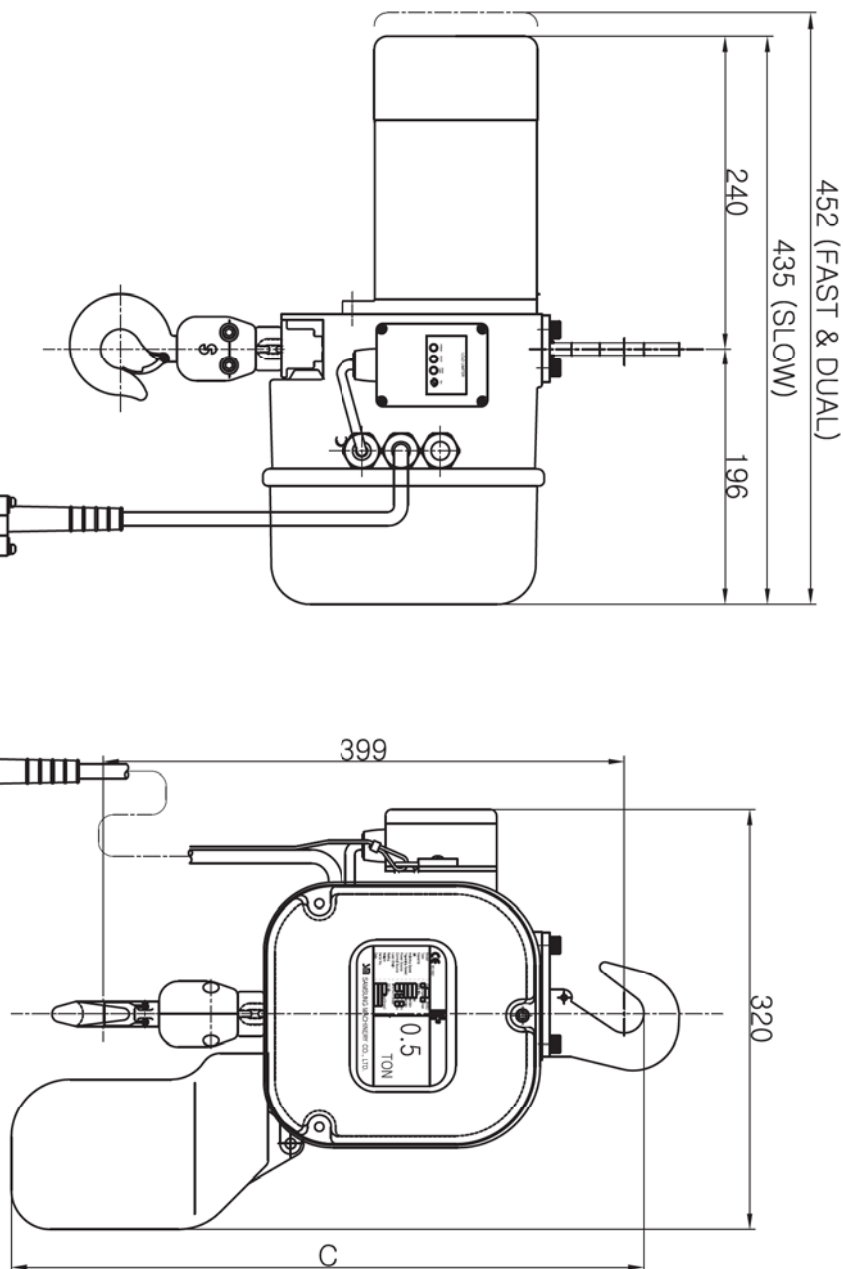


REV	DATE	REASON FOR REVISION	CHECKER BY	APPRD BY
△				

SPECIFICATION

HOISTING LOAD	0.5 TON	
TESTING LOAD	0.62 TON	
LIFTING HEIGHT	Min. 4 ~ 50 M	
HOISTING	FAST	SPEED 8.4 M/MIN MOTOR 1.1 Kw x 4 P
	SLOW	SPEED 5.6 M/MIN MOTOR 0.65 Kw x 4 P
DUAL	SPEED	5.6 / 1.8 M/MIN
	MOTOR	0.7 / 0.23 Kw x 4/12 P
POWER SUPPLY	3Ø, 220~575V, 60HZ 1Ø, 110V~230V, 60HZ	
CONTROL VOLTAGE	1Ø, 48V, 110V, 60HZ	
OPERATING METHOD	PUSH BUTTON TYPE	
LOAD CHAIN SPEC.	Ø5.0 x 15P x 1 FALLS	
RATING	30 MIN	
NET WEIGHT	Min. 37~54 KG	



구분		양정 (LIFT)			
		3M~5M	5M~11M	11M~18M	18M~25M
기호	C	490	560	606	606

NO.		DESCRIPTION	MAT'L	SIZE	Q'TY	REMARKS
DRAWN	CHECKED		SCALE	1/1	FIG. NO.	SCO-500
DESIGNED	APPROVED		DATE	2013.05.10		SCO-500H

SCO-500 / 500H

TITLE OF PRODUCT 0.5 TON SUSPENSION TYPE
ELEC. CHAIN HOIST GENERAL ASSEMBLY