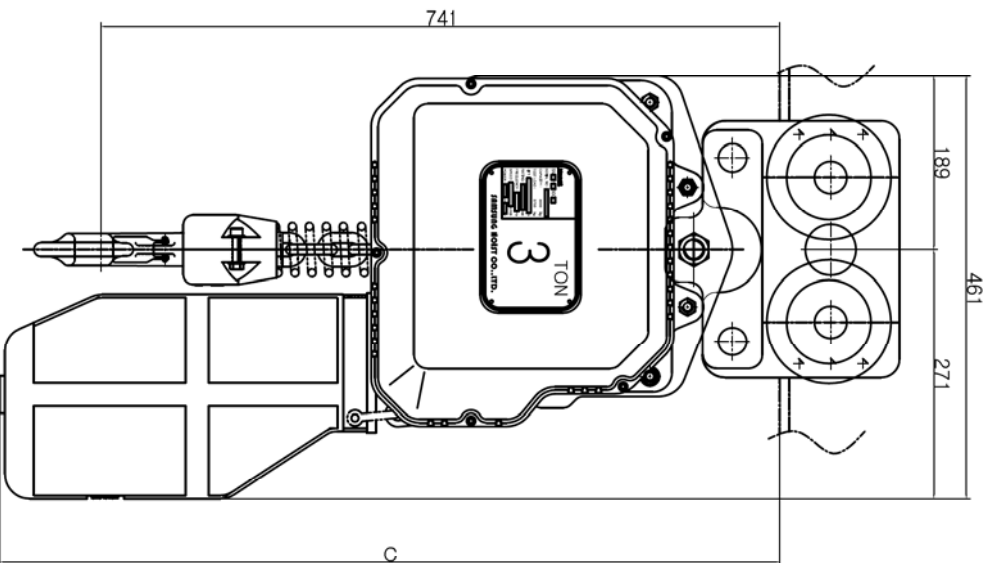
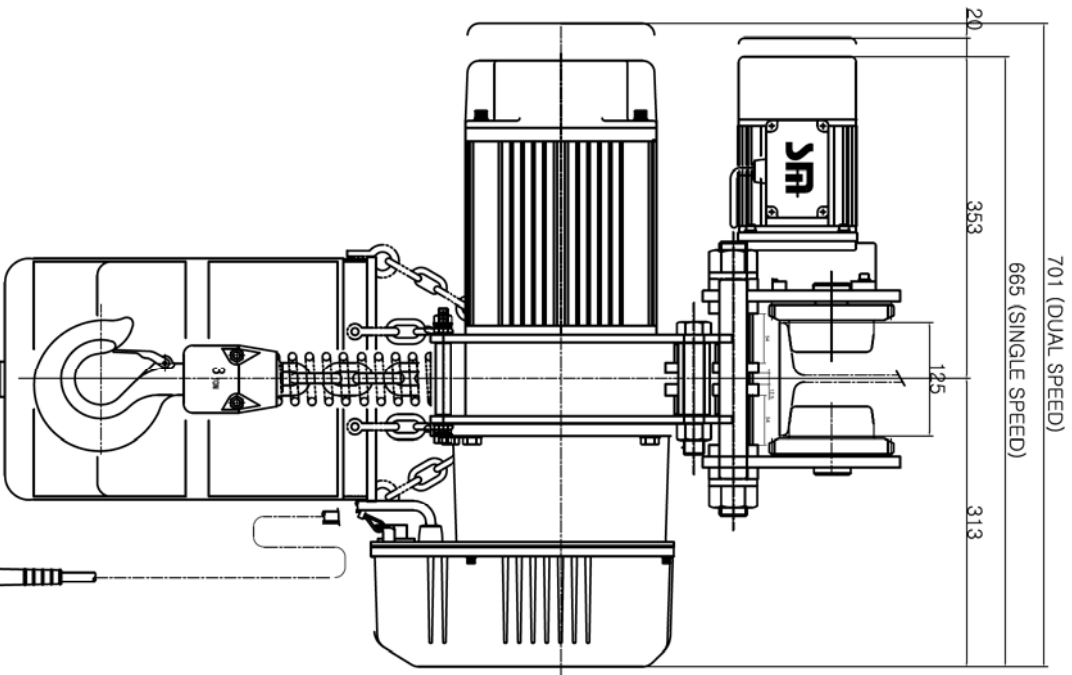


REV	DATE	REASON FOR REVISION	CHECKER BY	APP'D BY
Δ				

SPECIFICATION

HOISTING LOAD	3 TON	
TESTING LOAD	3.75 TON	
LIFTING HEIGHT	Min. 3 M ~ Max 30 M	
HOISTING	SINGLE	SPEED 6.0 M/MIN MOTOR 3.5 Kw x 4 P
	DUAL	SPEED 6.0 / 3.0 M/MIN MOTOR 3.5 / 1.75 Kw x 4 / 8 P
TRAVERSING	SPEED	19.0 M/MIN
	MOTOR	0.4 Kw x 4 P
	SPEED	12.0 M/MIN
	MOTOR	0.27 Kw x 6 P
MAIN POWER	SPEED	9.5 M/MIN
	MOTOR	0.2 Kw x 8 P
CONTROL POWER	SPEED	19 / 9.5 M/MIN
	MOTOR	0.4 / 0.2 Kw x 4 / 8 P
OPERATING METHOD	PUSH BUTTON TYPE	
LOAD CHAIN SPEC.	Ø11.2 x 34P x 1 FALLS	
RATING	30 MIN	
I-BEAM WIDTH (mm)	125~150 mm	
NET WEIGHT	MAX. 295 KG	



DIMENSION

구분	양정 (LIFT)	
	4M~14M	14M~20M
기호	C	
	850	1050

NO.	DESCRIPTION	MAT'L	SIZE	QTY	REMARKS

TITLE OF PROJECT	3TON MOTOR TROLLEY TYPE
DESIGNED	ELEC. CHAIN HOIST GENERAL ASSEMBLY
DATE	2013.05.27
SCALE	1/1
APP'D	
DATE	2013.05.27
NO.	SCT-3000

SCT-3000