

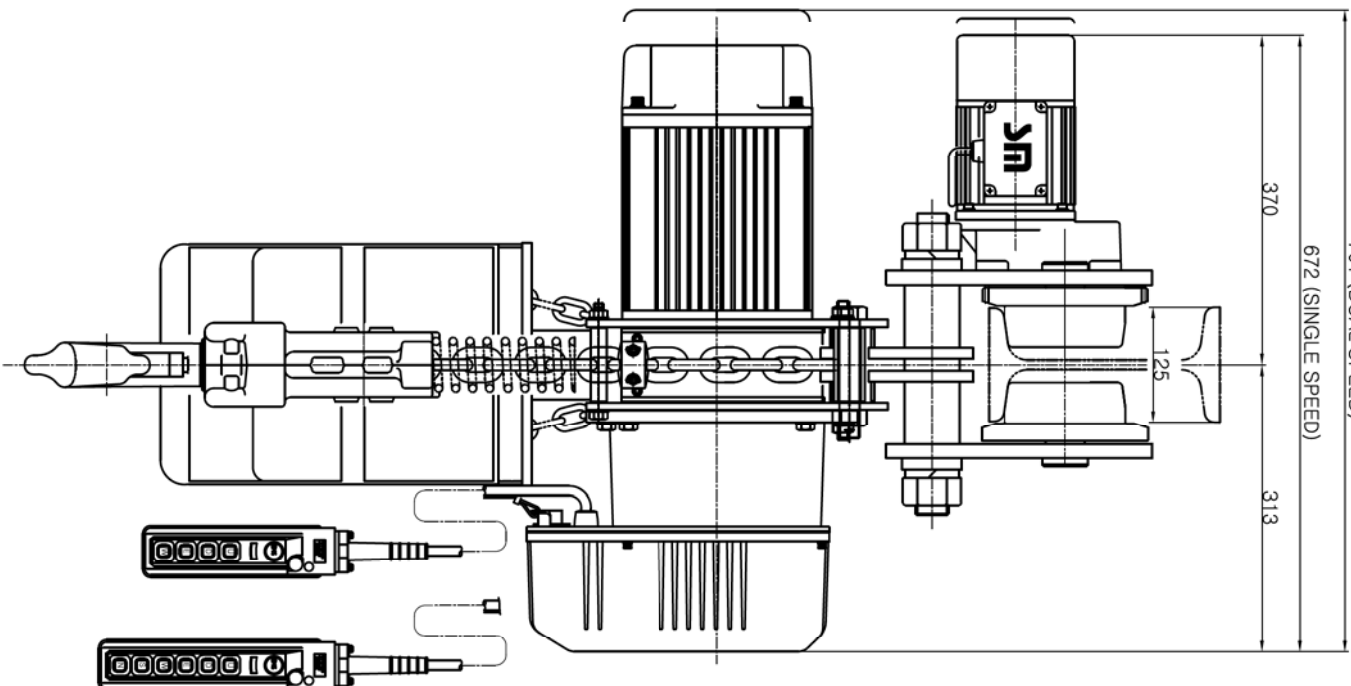
701 (DUAL SPEED)

672 (SINGLE SPEED)

370

313

125

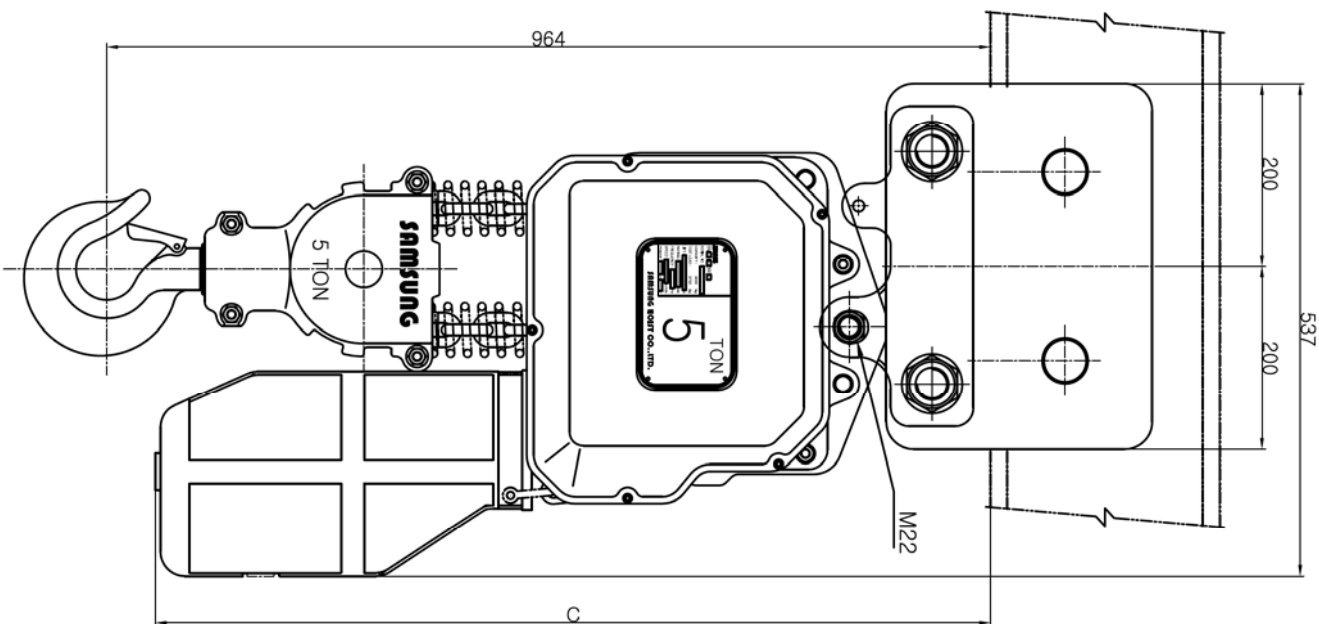


200

200

537

964



SPECIFICATION

HOISTING LOAD	5 TON
TESTING LOAD	6.25 TON
LIFTING HEIGHT	4M~7M
HOISTING	SINGLE
	DUAL
SPEED	3.0 M/MIN
MOTOR	3.5 Kw x 4 P
SPEED	3.0 / 1.5 M/MIN
MOTOR	3.5 / 1.75 Kw x 4 / 8 P
SPEED	16 M/MIN
MOTOR	0.4 Kw x 4 P
SPEED	10 M/MIN
MOTOR	0.27 Kw x 6 P
SPEED	8 M/MIN
MOTOR	0.2 Kw x 8 P
SPEED	16 / 8 M/MIN
MOTOR	0.4 / 0.2 Kw x 4 / 8 P

MAIN POWER	3Ø - 220~575V - 60Hz
CONTROLL POWER	1Ø - 48V, 110V - 60Hz
OPERATING METHOD	PUSH BUTTON TYPE
LOAD CHAIN SPEC.	Ø11.2 x 34P x 2 FALLS
RATING	30 MIN
I-BEAM WIDTH (mm)	125~150 mm
NET WEIGHT	APPROX 213~775 KG

DIMENSION	
구분	양정 (LIFT)
기호	4M~7M
	7M~10M
C	910
	1110

SCT-5000D

TITLE OF PROJECT		5TON MOTOR TROLLEY TYPE	
ELEC. CHAIN HOIST GENERAL ASSEMBLY			
NO.	DESCRIPTION	MAT'L	SIZE
QTY	REMARKS		
910			

REV	DATE	REASON FOR REVISION	CHECKER BY	APPR'D BY
Δ				

DRAWING	CHECKED	SCALE	DWG. NO.
DESIGNED	APPROVED	DATE	
표준영	김승현	2010.04.27	SCT-5000D